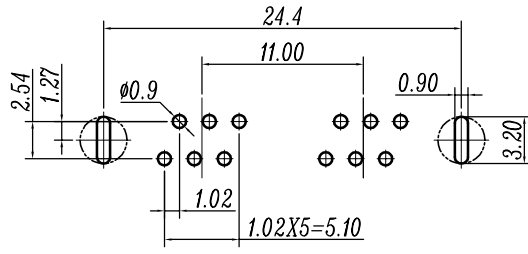
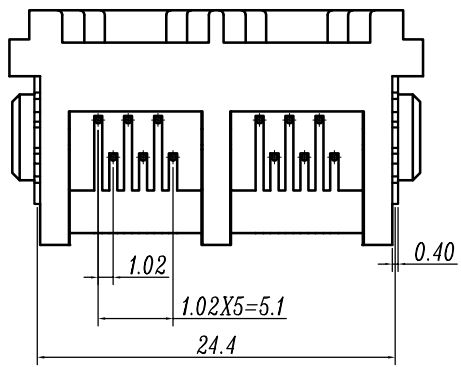
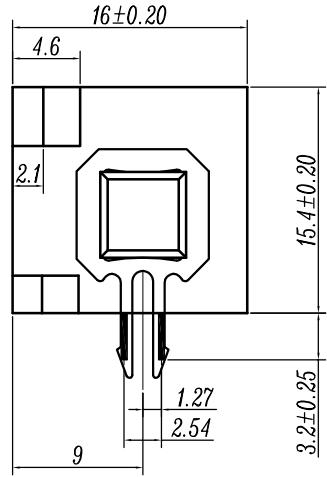
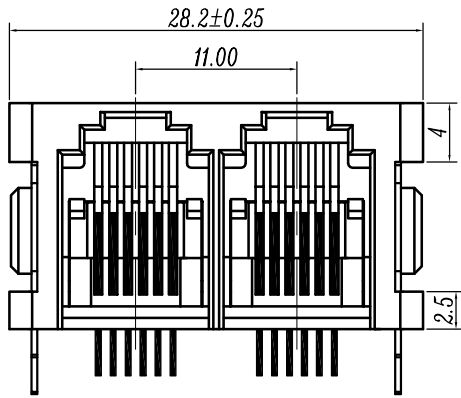


REV	MARK	ECN NO.	DESCRIPTION	NAME	DATE
A0	—	—			

A
B
C
D
E
F
G
H



PC Board Layout
Top View

SPECIFICATIONS :

MATERIAL :

1. HOUSING MATERIAL: (1)GLASS FILLED PA66 (UL94V-0), (2)GLASS FILLED PA46 (UL94V-0), (3)GLASS FILLED PBT (UL94V-0).
2. CONTACT MATERIAL: PHOSPHOR BRONZE $\Phi 0.46$ MM.
3. PLATING: GOLD PLATING $Fu''-50u''$ OVER NICKEL.

ELECTRICAL :

1. VOLTAGE RATING: 125Vac RMS .
2. CURRENT RATING: 1.5AMP .
3. CONTACT RESISTANCE: $30m\Omega$ MAX .
4. INSULATION RESISTANCE: $500M\Omega$ MIN @ 500Vdc .
5. DIELECTRIC WITHSTANDING VOLTAGE: 1000Vac RMS 50Hz 1MIN.

MECHANICAL :

1. DURRABILITY : 750 CYCLES MIN.
2. INSETION FORCE: 2.2Kgf MAX.
3. RETENTION STRENGTH : 7.7Kgf MIN BETWEEN JACK AND PLUG.

ENVIRONMENTAL :

1. STORAGE TEMPRATURE : -40° C TO 85° C.
2. OPERATION TEMPRATURE : -40° C TO 70° C.

TOLERANCE UNLESS OTHERWISE SPEC		DESIGNED		TITLE :
BASIC DIMENSION	TOLERANCE	CHECKED		SIZE UNIT
.X	± 0.25	STANDARDIZED	MM	PART NO. :
.XX	± 0.15	APPROVED	SCALE	DRAWING NO. :
.XXX	± 0.05		WEIGHT	
ANGLES	$\pm 0.5^{\circ}$		SHEET	
			REV	

Coorle Technology